

Network Video Recorder

NVR304-S-P Series



Key Features

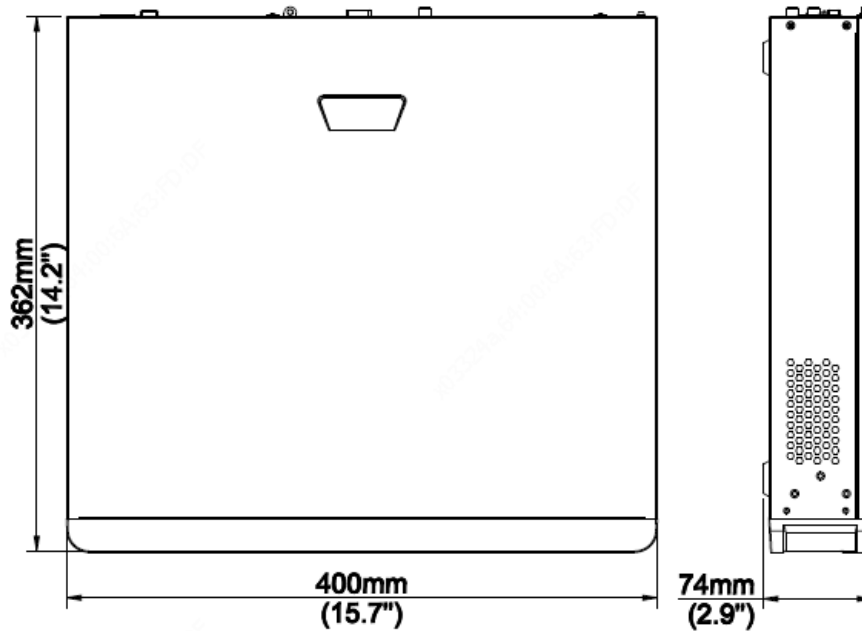
- Support Ultra265/H.265/H.264 video formats
- 16/32-channel input
- Plug & Play with 16 independent PoE network interfaces
- Third-party IP cameras supported with ONVIF conformance: Profile S, Profile G, Profile T
- Support HDMI and VGA simultaneous output
- Up to 8 Megapixels resolution recording
- 4 SATA HDDs, up to 14TB for each HDD
- ANR technology to enhance the storage reliability when the network is disconnected
- Support cloud upgrade

Specifications

Model	NVR304-16S-P16	NVR304-32S-P16
Video/Audio Input		
IP Video Input	16-ch	32-ch
Two-way Audio Input	1-ch, RCA	
Network		
Incoming Bandwidth	160Mbps	
Outgoing Bandwidth	64Mbps	
Remote Users	128	
Protocols	P2P, UPnP, NTP, DHCP, PPPoE	
Video/Audio Output		
HDMI/VGA Output	HDMI: 4K (3840x2160@30), 1920X1080@60, 1920X1080@50, 1600X1200@60, 1280X1024@60, 1280X720@60, 1024X768@60 VGA: 1920X1080@60, 1920X1080@50, 1280X1024@60, 1280X720@60, 1024X768@60	
Recording Resolution	8MP/6MP/5MP/4MP/3MP/1080p/960p/720p/D1/2CIF/CIF	
Audio Output	1-ch, RCA	
Synchronous Playback	16-ch	32-ch
Corridor Mode Screen	3/4/5/7/9/10/12/16	3/4/5/7/9/10/12/16/32
Decoding		
Decoding format	Ultra265/H.265/H.264	
Live view/Playback	8MP/6MP/5MP/4MP/3MP/1080p/960p/720p/D1/2CIF/CIF	
Capability	2 x 4K@30, 4x 4MP@30, 5 x 3MP@30, 8 x 1080P@30, 16 x 720P@30	2 x 4K@30, 4x 4MP@30, 5 x 3MP@30, 8 x 1080P@30, 16 x 720P@30, 32 x D1@30
Hard Disk		
SATA	4 SATA interfaces	
Capacity	Up to 14TB for each disk	
External Interface		
Network Interface	1 RJ-45 10M/100M/1000M self-adaptive Ethernet Interface	
USB Interface	Front panel: 1 x USB2.0, Rear panel: 1 x USB3.0	
Serial Interface	1 x RS485	
Alarm In	16-ch	
Alarm Out	4-ch	
PoE		
Interface	16 independent 100Mbps PoE network interfaces	
Max Power	Max 30W for single port Max 240W in total	
Supported Standard	IEEE 802.3af/at	
General		
Power Supply	100 ~ 240 V AC Power Consumption: ≤15W(without HDD)	
Working Environment	-10°C~+ 55°C (+14°F~+131°F), Humidity ≤ 90% RH (non-condensing)	
Dimensions (W×D×H)	400mm ×362mm × 74mm (15.7" × 14.2" ×2.9")	

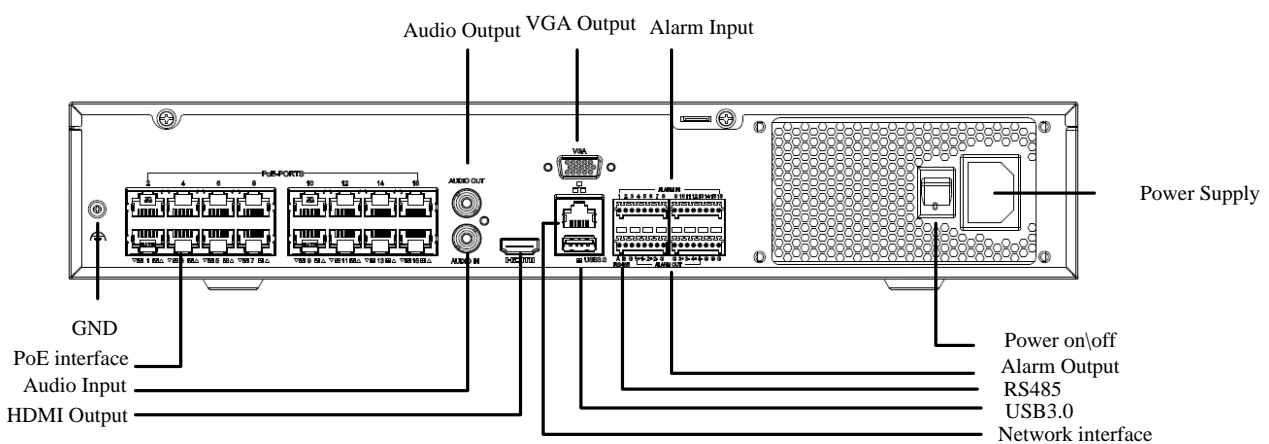
Weight (without HDD)	≤5kg (5.29lb)
----------------------	---------------

Dimensions



Rear Panel

Take **NVR304-16S-P16** for example



Zhejiang Uniview Technologies Co., Ltd.

Building No.10, Wanlun Science Park, Jiangling Road 88, Binjiang District, Hangzhou, Zhejiang, China

Email: overseasbusiness@uniview.com; globalsupport@uniview.com



<http://sgcdn.uniview.com>

©2020 Zhejiang Uniview Technologies Co., Ltd. All rights reserved.

* Product specifications and availability are subject to change without notice.