

## PTZ-T4215I-D

### 2 MP IR Turbo 4-Inch Speed Dome



HiLook PTZ-T4215I-D IR Turbo 4-Inch Speed Dome is able to capture high quality images in poor light environment. The black anti-reflective glass increases the luminousness which helps IR distance reach up to 100 m.

The embedded CMOS chip makes WDR, and real-time 1920 × 1080 resolution possible. With the help of the 15× optical zoom, and IR cut filter, the camera offers more details over an expansive area.

- 1/2.8" HD progressive scan CMOS
- 1920 × 1080 resolution
- 15× optical zoom
- DWDR (Digital Wide Dynamic Range)
- Up to 100 m IR distance
- 3D intelligent positioning
- Switchable turbo HD and CVBS outputs

## Specification

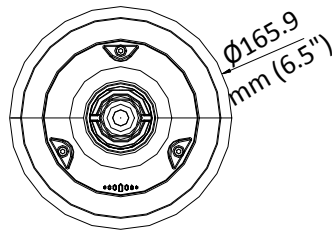
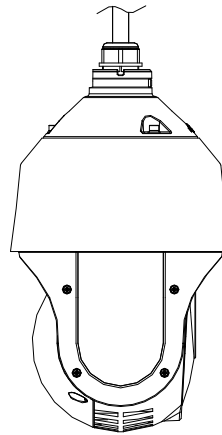
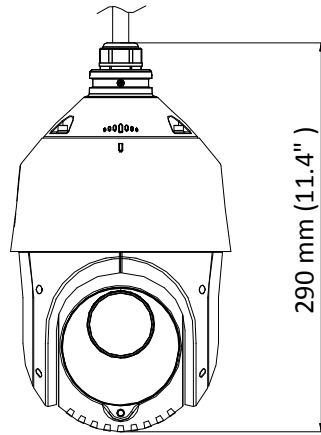
| <b>Camera</b>            |  |
|--------------------------|--|
| Model                    | PTZ-T4215I-D   |
| Image Sensor             | 1/2.8" progressive scan CMOS   |
| Max. Image Resolution    | 1920 × 1080  |
| Frame Rate               | 50Hz: 25fps @(1920 × 1080)<br>60Hz: 30fps @(1920 × 1080)   |
| Min. Illumination        | Color: 0.005 Lux @(F1.6, AGC ON)<br>B/W: 0.001 Lux @(F1.6, AGC ON)<br>0 lux with IR              |
| White Balance            | Auto/Manual/ATW/Indoor/Outdoor   |
| AGC                      | Auto/Manual  |
| DNR                      | 3D DNR   |
| WDR                      | DWDR   |
| Shutter Time             | PAL: 1/1 s to 1/10,000 s<br>NTSC: 1/1 s to 1/10,000 s  |
| Day & Night              | IR cut filter  |
| Privacy Mask             | 8 programmable privacy masks   |
| <b>Lens</b>              |  |
| Focus Mode               | Auto/Semiauto/Manual   |
| Focal Length             | 5 mm to 75 mm, 15× Optical   |
| Aperture Range           | F 1.6 to F 3.5   |
| Horizontal Field of View | 53.8° to 4.0° (wide to tele)   |
| Min. Working Distance    | 10 mm to 1500 mm (wide to tele)  |
| Zoom Speed               | Approx. 2.4 s (optical, wide to tele)  |
| <b>Pan and Tilt</b>      |  |
| Pan Range                | 360° endless   |
| Pan Speed                | Pan manual speed: 0.1° to 80°/s<br>Pan preset speed: 80°/s                                       |
| Tilt Range               | -15° to 90° (auto flip)  |
| Tilt Speed               | Tilt manual speed: 0.1° to 80°/s<br>Tilt preset speed: 80°/s                                     |
| Proportional Zoom        | Rotation speed can be adjusted automatically according to zoom multiples                         |
| Patrol                   | 10 patrols, up to 32 presets per patrol  |
| Pattern                  | 5 patterns, with the total recording time no less than 10 minutes                                |
| Power-off Memory         | Support  |
| Park Action              | Preset/Patrol/Pattern/Pan Scan/Tilt Scan/Panorama Scan/Day Mode/Night Mode/None                  |
| PTZ Position Display     | ON/OFF   |
| Preset Freezing          | Support  |
| Scheduled Task           | Preset/Patrol/Pattern/Pan Scan/Tilt Scan/Panorama Scan/Day Mode/Night Mode/Zero Calibration/None |

| <b>Infrared</b>     |   |
|---------------------|---|
| IR Distance         | Up to 100 m   |
| IR Intensity        | Automatically adjusted depending on the zoom ratio  |
| <b>Input/Output</b> |   |
| Video Output        | 1 turbo 1080p output/1 CVBS output, (NTSC or PAL composite, BNC)  |
| RS-485 Interface    | Half-duplex mode<br>Self-adaptive HIKVISION, Pelco-P, Pelco-D protocol  |
| UTC function        | UTC protocol (or HIKVISION-C protocol in previous DVR)  |
| <b>General</b>      |   |
| Menu Language       | English   |
| Power               | 12 VDC<br>Max.20 W (IR: 7 W)  |
| Working Temperature | -30° C to 65° C (-22° F to 149° F)  |
| Working Humidity    | 90% or less   |
| Protection Level    | IP66 standard (outdoor dome)<br>TVS 4,000 V lightning protection, surge protection and voltage transient protection |
| Mounting            | Various mounting modes optional   |
| Dimension           | Ø 165.9 mm × 290 mm (Ø 6.5" × 11.4")  |
| Weight (approx.)    | 2Kg (4.41lb.)   |

## Order Model

PTZ-T4215I-D

## Dimensions



## Accessories



DS-1602ZJ  
Wall Mount



DS-1602ZJ-Conner  
Conner Mount



DS-1602ZJ-Pole  
Pole Mount



DS-1602ZJ-Box  
Box Mount



DS-1663ZJ  
Ceiling mount



DS-1661ZJ  
Pendant mount



DS-1662ZJ  
Pendant mount



DS-1619ZJ  
Swan-neck Mount



DS-1005KI  
USB Joy-stick