

XVR301-Q3 Series



Key Features

- Support H.265/H.264 video formats
- Support audio over coaxial cable(only for TVI cameras)
- Support TVI, AHD, CVI, CVBS, IP cameras with adaptive access
- 4/8-channel BNC input
- Support 1-ch CVBS output, 1-ch VGA output, 1-ch HDMI output at up to 4K(3840 x 2160)
- HDMI and VGA simultaneous output
- Long transmission distance over coaxial cable
- Support mainstream cameras of ONVIF and RTSP protocols

Specifications

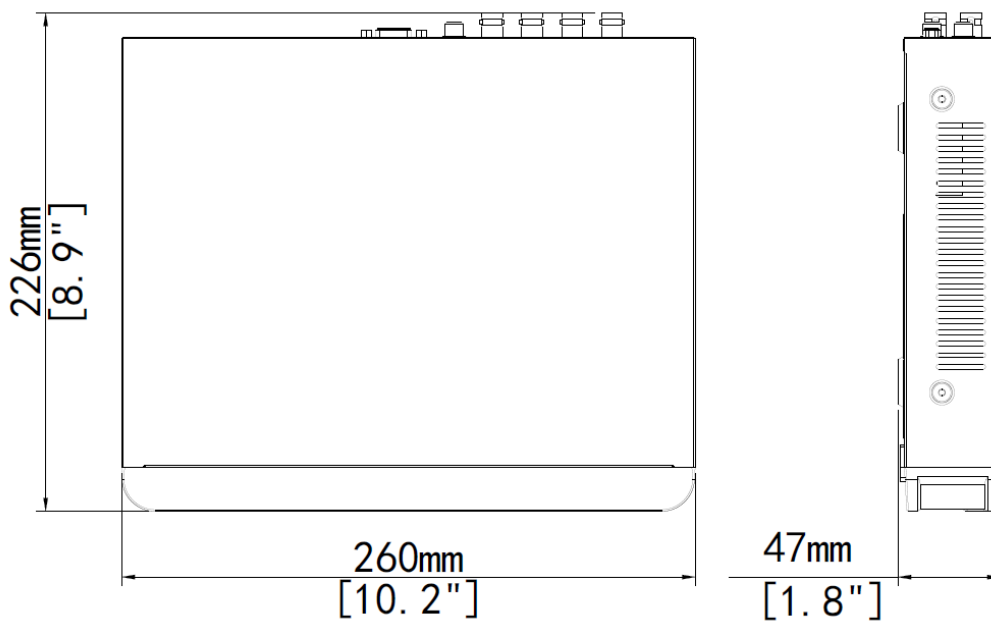
Model	XVR301-04Q3	XVR301-08Q3
Video/Audio Input		
Analog Video Input	4-ch, BNC	8-ch, BNC
IP Video Input	2-ch(only IP up to 6ch), each channel up to 4MP	4-ch(only IP up to 12ch), each channel up to 8MP
Supported Analog Camera Types	Support AHD input: 8MP@15fps 5MP@20fps 4MP@30fps 1080P@30fps 720P@30fps Support TVI input: 8MP@15fps 5MP@20fps 4MP@30fps	Support AHD input: 8MP@15fps 5MP@20fps 4MP@30fps 1080P@30fps 720P@30fps Support TVI input: 8MP@15fps 5MP@20fps 4MP@30fps

	1080P@30fps 720P@30fps Support CVI input: 8MP@15fps 5MP@25fps 4MP@30fps 1080P@30fps 720P@30fps Support CVBS input	1080P@30fps 720P@30fps Support CVI input: 8MP@15fps 5MP@25fps 4MP@30fps 1080P@30fps 720P@30fps Support CVBS input
Audio Input	1-ch, RCA	
Audio Compression	G.711U	
Video/Audio Output		
CVBS Output	1-ch, BNC	
VGA Output	1920x1080p/60Hz, 1920x1080p/50Hz, 1600x1200/60Hz, 1280x1024/60Hz, 1280x720/60Hz, 1024x768/60Hz	
HDMI Output	3840 x 2160/30Hz, 1920x1080p/60Hz, 1920x1080p/50Hz, 1600x1200/60Hz, 1280x1024/60Hz, 1280x720/60Hz, 1024x768/60Hz	
Audio Output	1-ch, RCA	
Synchronous Playback	4	8
Live view display	HDMI/VGA: 1/4/6/8/9	HDMI/VGA: 1/4/6/8/9/16
Two-way Audio	1-ch, RCA	
Snapshot		
FTP/Schedule/Event Snapshot	4-ch snapshot, up to 704*576 resolution	8-ch snapshot, up to 704*576 resolution
Network		
Incoming Bandwidth	40Mbps (Up to 48Mbps after all analog channel conversion)	40Mbps (Up to 56Mbps after all analog channel conversion)
Outgoing Bandwidth	48Mbps	64Mbps
Remote Users	128	
Protocols	TCP/IP, P2P, UPnP, DHCP, HTTP, HTTPS, DNS, DDNS, SMTP	
Browser	IE(IE10/11) for Windows Firefox (version 52.0 and above) for Windows Chrome(version 45 and above) for Windows Edge(version 79 and above) for Windows	
Encoding		

Recording Resolution	8MP Lite/5MP Lite/4MP Lite/1080P/720P/CIF		8MP Lite/5MP Lite/4MP Lite /1080P/720P/CIF	
Recording Frame Rate	Main stream	Sub stream	Main stream	Sub stream
	8MP Lite@8fps	D1@8fps	8MP Lite@8fps	D1@8fps
	5MP Lite @12fps	D1@12fps	5MP Lite @12fps	D1@12fps
	4MP Lite@15fps	D1@15fps	4MP Lite@15fps	D1@15fps
	1080P@15fps	D1@15fps	1080P@15fps	D1@15fps
	720p@30fps	D1@30fps	720p@30fps	D1@30fps
Audio Sample Rate	8KHz,16 bit per channel			
Audio Bit Rate	64Kbps per channel			
Decoding				
Capability	Analog: 4 x 8MP Lite@8, 4x 5MP Lite@12, 4x 4MP Lite@15, 4 x 1080P@15 IP: 1 x 4MP@30, 2 x 1080P@30		Analog: 8 x 8MP Lite@8, 8x 5MP Lite@12, 8x 4MP Lite@15, 8x 1080P@15 IP: 1 x 8MP@30, 2 x 4MP@30, 4 x 1080P@30	
Hard Disk				
SATA	1 SATA interface			
Capacity	Up to 8TB for each HDD (The maximum HDD capacity varies with environment temperature)			
Smart Alarm				
VCA Detection	Ultra Motion Detection(UMD) for analog:4-ch		Ultra Motion Detection(UMD) for analog:8-ch	
VCA Search	Behavior Search			
General Alarm				
General Alarm	Motion detection			
Alert Alarm	IP Conflict, Network Disconnected, Disk offline, Disk Abnormal, Illegal Access, Hard Disk Space Low, Hard Disk Full, Recording/Snapshot Abnormal			
External Interface				
Network Interface	1 RJ45 10M/100M self-adaptive Ethernet Interface			
USB Interface	Rear panel: 2 x USB2.0			
RS485	1			
Alarm In	4-ch			
Alarm Out	1-ch			
General				
Power Supply	12V DC Power Consumption: ≤ 10 W(without HDD)			
Working Environment	-10°C ~ + 55°C (+14°F ~ +131°F), Humidity ≤ 90% RH(non-condensing)			

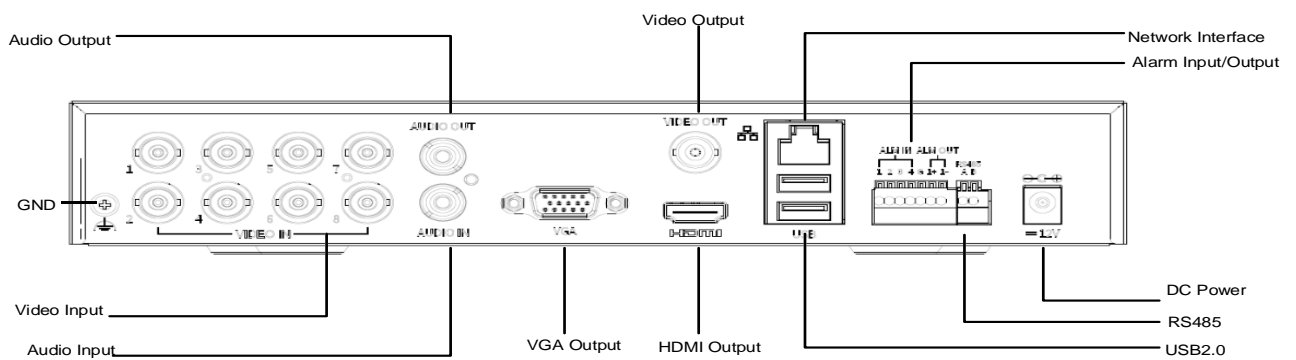
Dimensions(W×D×H)	260mm ×226mm× 47mm (10.2" × 8.9"×1.8")
Weight (without HDD)	≤1.1 Kg (2.42lb)
Certification	
Certification	UL /CE /FCC /RoHS /WEEE

Dimensions



Rear Panel

Take XVR301-08Q3 for example





Building No.10, Wanlun Science Park, Jiangling Road 88, Binjiang District, Hangzhou, Zhejiang, China

Email: overseasbusiness@uniview.com; globalsupport@uniview.com

<http://www.uniview.com>

©2022 Zhejiang Uniview Technologies Co., Ltd. All rights reserved.

* Product specifications and availability are subject to change without notice.